

ARFP SERIES

ASSEMBLED REMOTE FILL PORT

SPECIFICATION:

FAIRFIELD INDUSTRIES - ASSEMBLED REMOTE FILL PORTS (ARFP) ARE UTILIZED AS LONG TERM-MAINTENANCE FREE SPILL CONTAINMENT FOR THE REMOTE MANUAL FILLING OF ABOVE GROUND STORAGE TANKS.

THE WEATHERPROOF STAINLESS STEEL LOCKING ENCLOSURE HOUSES ALL PREPLUMBED VALVES, FITTINGS AND CONNECTIONS NECESSARY TO CONNECT TO PUMPER STYLE DELIVERY TRUCKS. ANY SPILLAGE IS EASILY TRANSFERRED BACK TO AST WITH INTERNAL HAND PUMP PREPLUMBED INTO FILL PIPE.

UNITS ARE AVAILABLE WITH 2", 3" OR 4" CONNECTIONS AND SUITABLE FOR GASOLINE, #2 OIL, DIESEL FUEL, KERO, MOTOR OILS OR OTHER FUELS COMPATIBLE W/CONSTRUCTION.

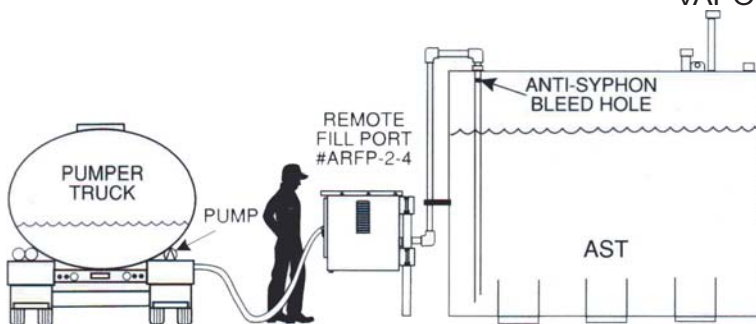
THE ARFP'S ARE AVAILABLE W/ EITHER TOP (T) REAR (R) OUTLET CONNECTIONS AND COME STANDARD W/ WALL MOUNT OR POST-MOUNT BRACKETS FOR EASY INSTALLATIONS. POST-CLAMPS ARE STANDARD.

FEATURES:

- SIZE 26" H X 27" W
- HEAVY GAUGE STAINLESS STEEL ENCLOSURE W/ LOCKABLE HINGED DOOR
- 10 GALLON SPILL CONTAINMENT
- HAND PUMP W/CHECK VALVE & SHUT-OFF VALVE
- INLET CONNECTIONS W/ QUICK COUPLERS & DUST CAPS
- INTERNAL PREPLUMBED CHECK VALVES, FITTINGS & SHUT-OFF VALVES
- 2" OR 3" REAR OR TOP THREADED CONNECTIONS
- GROUND STUD
- WALL MOUNT OR POST MOUNT BRACKETS
- VAPOR RECOVERY BRACKET

OPTIONAL:

- STAGE 1 VAPOR RECOVERY CLAMP ASSEMBLY
- STAGE 1 VAPOR RECOVERY ADAPTER, CAP, NIPPLE AND CLAMP ASSEMBLY
- WALL MOUNT BRACKETS
- PRODUCT LABELS: GASOLINE, DIESEL, KERO, #2 OIL, OIL



MODEL: ARFP

ASSEMBLED REMOTE FILL BOX

NOTE:

FAIRFIELD INDUSTRIES, INC.

827 NORTH 6TH STREET NEWARK, NJ 07107

PHONE: 973-483-0100 FAX: 973-483-5333

www.fairfield-industries.com

Copyright © 2008 Fairfield Industries, Inc. All rights reserved

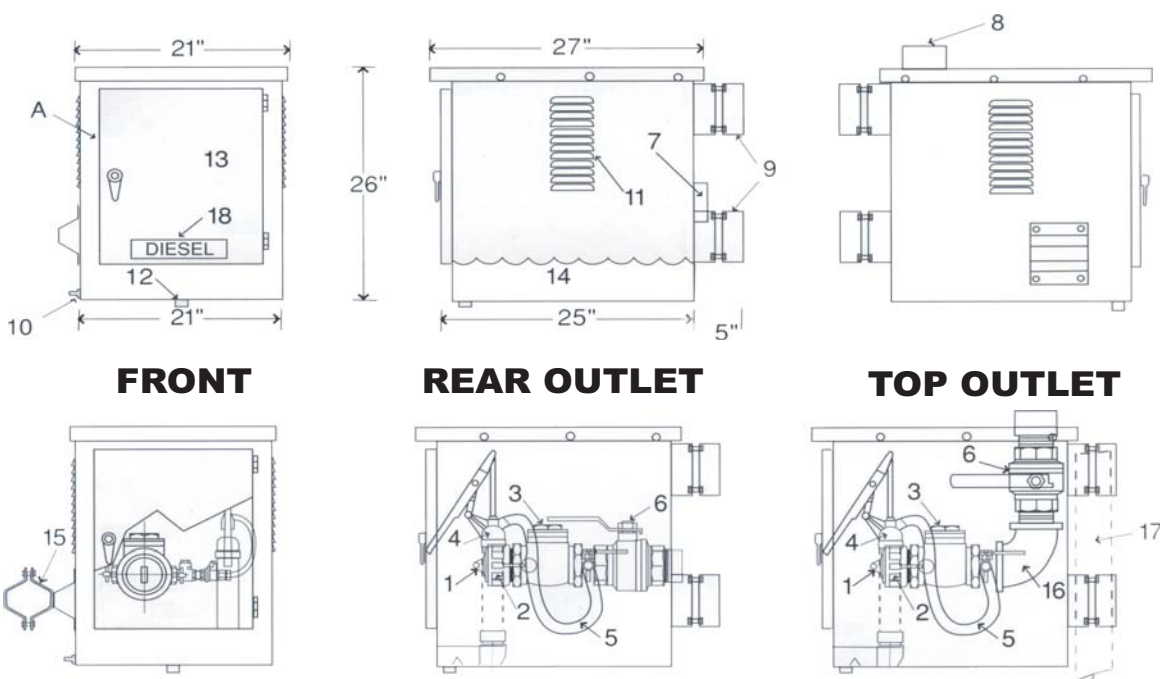
ARFP SERIES ASSEMBLED REMOTE FILL PORT

ARFP SELECTION GUIDE

MODEL	INLET	OUTLET	INTERNALS	DESCRIPTION
ARFP-2	2"	2"	2"	ASSEMBLED REMOTE FILL PORT
ARFP-2V	2"	2"	2"	ARFP W/VAPOR ADAPTOR, CAP & NIPPLE
ARFP-3	3"	3"	3"	ASSEMBLED REMOTE FILL PORT
ARFP-3V	3"	3"	3"	ARFP W/VAPOR ADAPTOR, CAP & NIPPLE
ARFP-4	4"	3"	3"	ASSEMBLED REMOTE FILL PORT
ARFP-4V	4"	3"	3"	ARFP W/VAPOR ADAPTOR, CAP & NIPPLE

NOTE: ADD PREFIX "R" FOR REAR OUTLET OR "T" FOR TOP OUTLET DESIGNS

OPTIONS:	PART NUMBER:	DESCRIPTION:
	3P	3" X 60" SCH, 40 PIPE POST W/ CLAMPS
	CC	3/4" CONDUIT COUPLING WELDED WHERE REQUIRED
	WMB	WALL MOUNT BRACKET
	VC	VAPOR BRACKET ONLY



ARFP PARTS GUIDE

ITEM	OPT/STD	DESCRIPTION	ITEM	OPT/STD	DESCRIPTION
A	STD	Stainless Steel Enclosure & Door	10	STD	Grounding Stud
1	STD	Dust Plug	11	STD	Side Vent Louvers
2	STD	Quick Disconnect Female	12	STD	3/4" Drain Fitting
3	STD	Check Valve	13	STD	Front Hinged Door Assembly w/ Locking Handle
4	STD	Hand Transfer Pump	14	10 gal.	Spill Capacity Containment Area
5	STD	Transfer Hose w/1/2" Check Valve & Ball valve Assembly	15	Option	Stage/Vapor Recovery Bracket
6	STD	Ball Valve	16	STD	90" Sch 40 Elbow
7	Option	Rear Outlet (Add Prefix "R" to Model Number)	17	Option	3" Sch 40 Post 60" High Part Number "3P"
8	Option	Top Outlet (Add Prefix "T" to model number)	18	Option	Product Label Diesel, Gasoline, #2 Oil, #4 Oil, Kero
9	STD	Post Mount Brackets for 3" Post	19	Option	3/4" Conduit Coupling Part Number "CC"
			20	Option	Wall Mount Brackets Part Number "WMB"