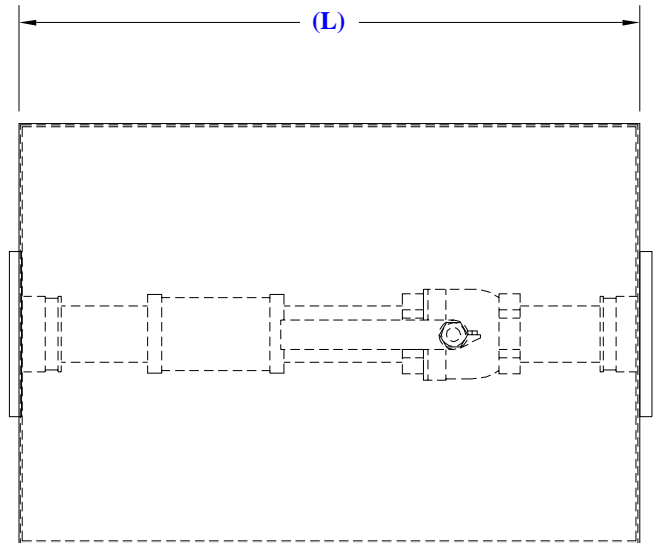


# MARINA TRANSFER SUMPS

## APPLICATION

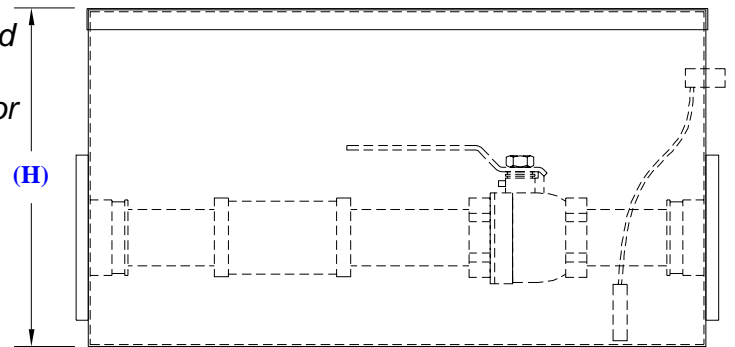
Fairfield Industries **Marina Transfer Sumps** allow for a secure attachment of gangway piping to floating docks.



TOP

## FEATURES

- Welded stainless steel construction withstands corrosion.
- Water-tight cover
- Stainless steel internals prevent corrosion and leakage.
- Flexible entry boots allow a water-tight way for piping to enter and exit the sump.
- Internal leak detection sensor
- Made to order



SIDE

**BUILT TO FOOTPRINT**

**MODEL:** MARINA TRANSFER SUMP

**FAIRFIELD INDUSTRIES, INC.**

827 NORTH 6TH STREET, NEWARK, NJ 07107

PHONE: 973-483-0100 FAX: 973-483-5333

[www.fairfield-industries.com](http://www.fairfield-industries.com)

Copyright© Fairfield Industries, Inc. All rights reserved.