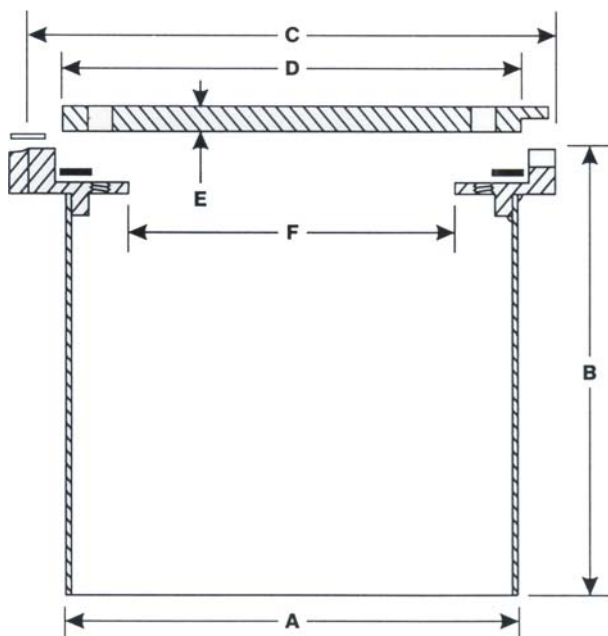


# MW SERIES

## MONITOR WELL MANHOLES 50MW

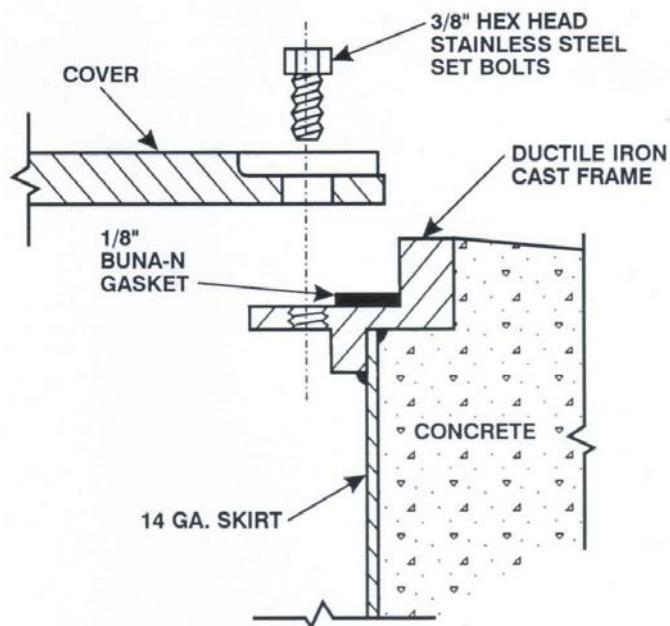
### STANDARD FEATURES

- SIZE: 5" DIAMETER FOR 2" AND 4" PVC MONITOR WELLS.
- SELF ALIGNING COVER AND BOLT HOLES FOR EASE OF INSTALLATION & REMOVAL.
- DUCTILE IRON CAST FRAME & COVER
- 14 GAUGE STEEL SKIRTS.
- API TRIANGULAR SYMBOL AND THE WORDS "MONITORING WELL" AND "DO NOT FILL" CAST INTO COVER.
- STAINLESS STEEL HEX HEAD BOLTS SECURE COVER FOR LIMITED ACCESS AND UNAUTHORIZED PRODUCT DROPS.
- BUNA-N GASKET FORMS WATERTIGHT SEAL PREVENTING RUN-OFF CONTAMINATION.
- TOLERANCE + OR - 1/8" SUBJECT TO CHANGE WITHOUT NOTICE.



MONITOR WELL MANHOLES WATERTIGHT						
MODEL	A	B	C	D	E	F
50MW	5"	5"	6 3/8"	5 1/4"	1/2"	3"

### SECTION AA



**MODEL NO: MW**

**DWG NO: MW-50**

MW  
MONITOR WELL MANHOLES  
50MW

**FAIRFIELD INDUSTRIES, INC.**

827 NORTH 6TH STREET NEWARK, NJ 07107

PHONE: 973-483-0100 FAX: 973-483-5333

www.fairfield-industries.com